

Unidrive M100, M101 (Frame 1 to 4)

Quick Start Guide

This guide is intended to provide basic information required in order to set-up a drive to run a motor. Please refer to the *Unidrive M100 / M101 User Guide* which is available to download from www.controltechniques.com/userguides or www.leroy-somer.com/manuals.

1 Safety information



This guide does not include safety information. Incorrect installation or operation of the drive, could cause personnel injury or equipment damage. For essential safety information, please refer to the *Unidrive M100 / M101 User Guide* or the safety booklet supplied with the drive.

2 Product information

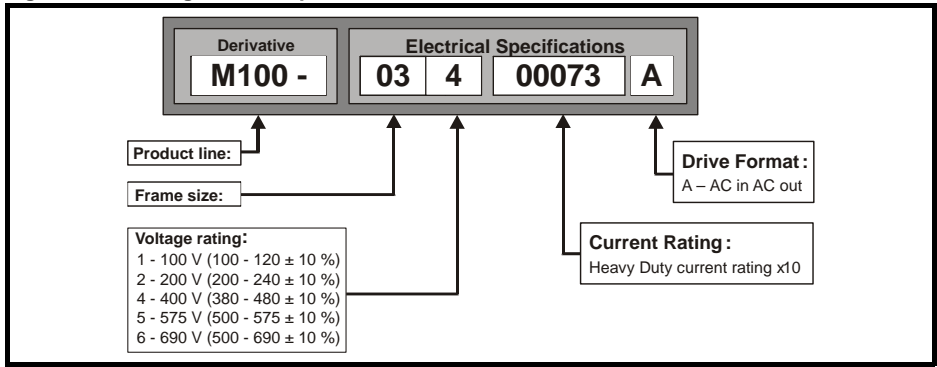
2.1 Ratings

Model	Input phases ph	Max. cont input current A	Max input fuse rating		Nominal cable size				Output current		
					European		USA				
			1 Ph	3 Ph	Input	Output	Input	Output	Max. cont output current	Nominal power	Motor power
A	A	mm ²	mm ²	AWG	AWG	A	kW	hp			
01100017	1	8.7	10		1	1	16	16	1.7	0.25	0.33
01100024	1	11.1	16		1	1	14	16	2.4	0.37	0.5
01200017	1	4.5	6		1	1	16	16	1.7	0.25	0.33
01200024	1	5.3	6		1	1	16	16	2.4	0.37	0.5
01200033	1	8.3	10		1	1	16	16	3.3	0.55	0.75
01200042	1	10.4	16		1	1	16	16	4.2	0.75	1
02100042	1	18.8	20		2.5	1	12	16	4.2	0.75	1
02100056	1	24	25		4	1	10	16	5.6	1.1	1.5
02200024	1 / 3	5.3/4.1	6	6	1	1	16	16	2.4	0.37	0.5
02200033	1 / 3	8.3/6.7	10	10	1	1	16	16	3.3	0.55	0.75
02200042	1 / 3	10.4/7.5	16	10	1	1	16	16	4.2	0.75	1
02200056	1 / 3	14.9/11.3	20	15	2.5/1.5	1	12/14	16	5.6	1.1	1.5
02200075	1 / 3	18.1/13.5	20	15	2.5	1	12	16	7.5	1.5	2
02400013	3	2.4		6	1	1	16	16	1.3	0.37	0.5
02400018	3	2.9		6	1	1	16	16	1.8	0.55	0.75
02400023	3	3.5		6	1	1	16	16	2.3	0.75	1
02400032	3	5.1		6	1	1	16	16	3.2	1.1	1.5
02400041	3	6.2		10	1	1	16	16	4.1	1.5	2
03200100	1 / 3	23.9/17.7	25	20	4	1.5	10/12	14	10	2.2	3
03400056	3	8.7		10	1	1	14	16	5.6	2.2	3
03400073	3	12.2		16	1.5	1	12	16	7.3	3	3
03400094	3	14.8		16	2.5	1.5	12	14	9.4	4	5
04200133	1 / 3	23.7/16.9	25	20	4/2.5	2.5	10	12	13.3	3	3
04200176	3	21.3		25	4	2.5	10	12	17.6	4	5
04400135	3	16.3		20	2.5	2.5	10	12	13.5	5.5	7.5
04400170	3	20.7		25	4	2.5	10	12	17	7.5	10

NOTE

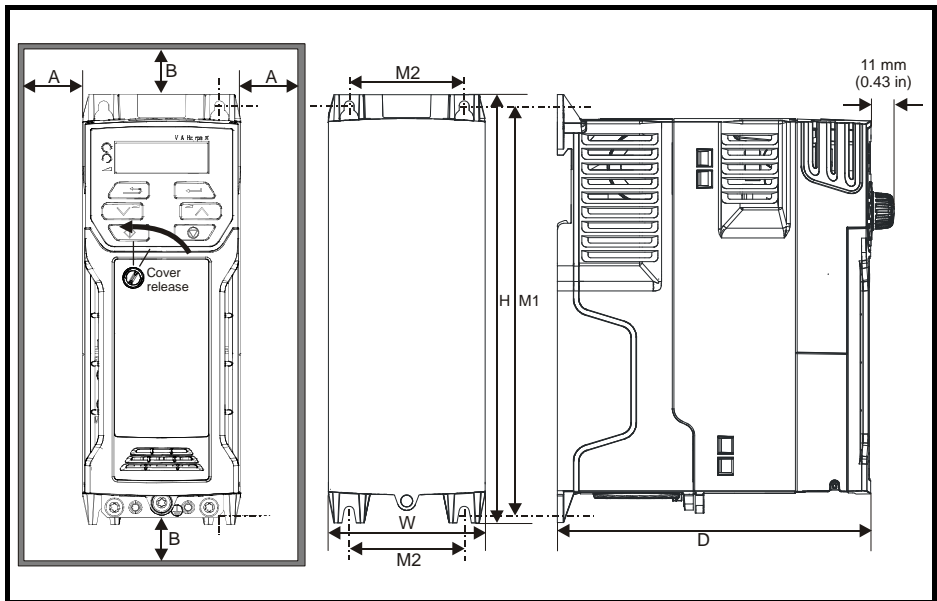
The nominal cable sizes shown in the table above, are provided as a guide only. Ensure that the cables used conform to the local wiring regulations.

Figure 2-1 Rating label and product identification



3 Mechanical installation

The drives can be panel mounted with 0 mm space between the drives. For further information on mechanical installation refer to the *Unidrive M100 / M101 User Guide*.



To remove the terminal cover, use a flat bladed screwdriver to rotate the terminal cover locating clip by approximately 30° in a counter clockwise direction, and then slide the cover down.

Drive Size	H		W		D		M1		M2		Ø		A		B	
	mm	in	mm	in	mm	in	mm	in	mm	in	mm	in	mm	in	mm	in
1	160	6.30	75	2.95	130	5.12	143	5.70	53	2.08	5	0.2	0.00	0.00	100	3.93
2	205	8.07	78	3.07	150	5.91	194	7.63	55	2.17	5	0.2				
3	226	8.90	90	3.54	160	6.30	215	8.46	70.7	2.80	5	0.2				
4	277	10.91	115	4.53	175	6.89	265	10.43	86	3.40	6	0.23				

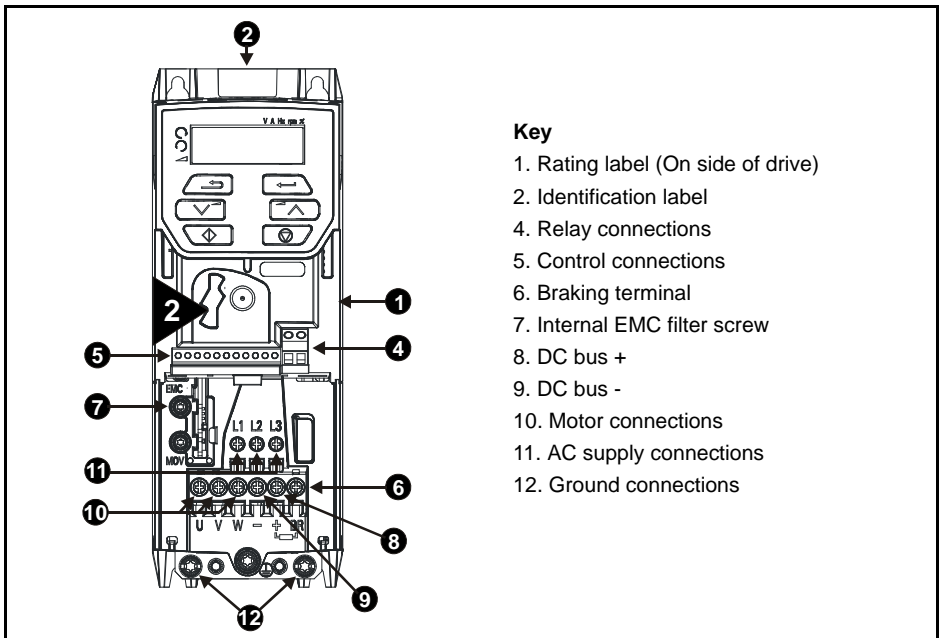
Table 3.1 Tools required

Tool	Location	Size 1	Size 2	Size 3	Size 4
Small terminal screwdriver	Control & relay terminals	✓	✓	✓	✓
3mm Flat-bladed screwdriver	Power terminals	✓			
5mm Flat-bladed screwdriver	Terminal cover	✓	✓	✓	✓
Pozidrive 1 screwdriver	AC power terminals		✓		
Pozidrive 2 screwdriver	Power terminals		✓	✓	✓
Torx 10 driver	EMC & MOV screws	✓	✓	✓	✓
Torx 15 driver	Fan screw	✓			
Torx 20 driver	Fan screw		✓	✓	✓

Table 3.2 Recommended torque settings

Model size	Terminal block description	Torque settings
All	Control terminals	0.2 N m (0.15 lb ft)
	Relay terminals	0.5 N m (0.37 lb ft)
1	Power terminals	0.5 N m (0.37 lb ft)
2, 3, 4		1.4 N m (1.03 lb ft)

4 Feature Diagram (size 2 shown)



5 Electrical installation

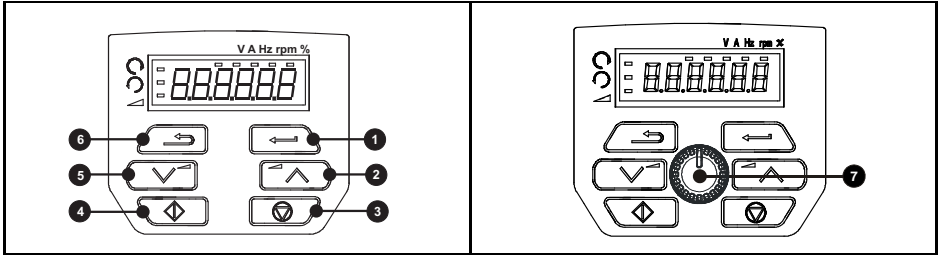
An overlay of the electrical connections / terminals is included on the back page of this manual.

6 Keypad and display

The keypad and display provide information to the user regarding the operating status of the drive and trip codes, and provide the means for changing parameters, stopping and starting the drive, and the ability to perform a drive reset.

Figure 6-1 Unidrive M100 keypad detail



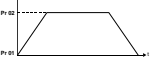
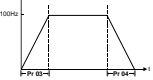
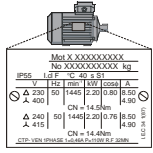
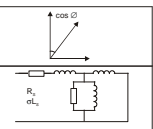

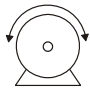
Figure 6-2 Unidrive M101 keypad detail

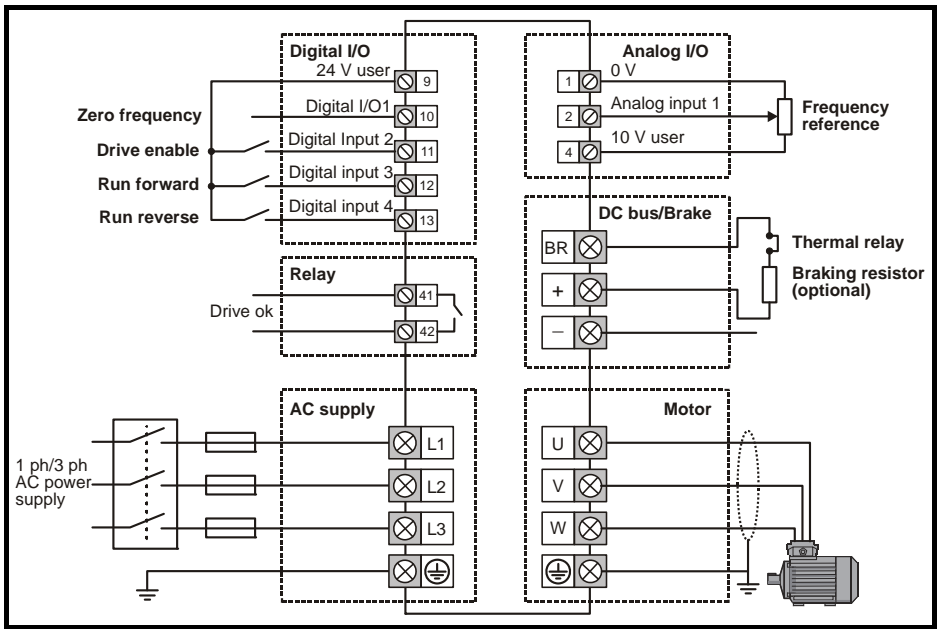


- (1) The *Enter* button is used to enter parameter view or edit mode, or to accept a parameter edit.
- (2 / 5) The *Navigation* keys can be used to select individual parameters or to edit parameter values.
- (3) The *Stop / Reset* key is used to stop and reset the drive in keypad mode. It can also be used to reset the drive in terminal mode.
- (4) The *Start* key is used to start the drive in keypad mode.
- (6) The *Escape* key is used to exit from the parameter edit / view mode.
- (7) The *Speed ref pot* is used to control the speed reference in keypad mode (only on *Unidrive M101*).

7 Running the motor

This section takes a new user through all the essential steps to running a motor for the first time. Section 4 provides the minimum connections required to connect and run a motor.

Action	Detail	
Before power up	Ensure: <ul style="list-style-type: none"> The drive enable signal is not given, terminal 11 is open The run signal is not given, terminal 12/13 is open The motor is connected to the drive The motor connection is correct for the drive D or Y The correct supply voltage is connected to the drive 	
Power up the drive	Ensure: <ul style="list-style-type: none"> The drive displays: Inh 	
Enter minimum and maximum speeds	Enter: <ul style="list-style-type: none"> Minimum speed Pr 00.001 (Hz) Maximum speed Pr 00.002 (Hz) 	
Enter accel and decel rates	Enter: <ul style="list-style-type: none"> Acceleration rate Pr 00.003 (s/100 Hz) Deceleration rate Pr 00.004 (s/100 Hz) 	
Enter motor nameplate details	Enter: <ul style="list-style-type: none"> Motor rated current in Pr 00.006 (A) Motor rated speed in Pr 00.007 (rpm) Motor rated voltage in Pr 00.008 (V) Motor rated power factor in Pr 00.009 If the motor is not a standard 50/60 Hz motor, set Pr 00.039 accordingly 	
Ready to autotune		
Autotune	The drive is able to perform either a stationary or a rotating autotune. The motor must be at a standstill before an autotune is enabled. To perform an autotune: <ul style="list-style-type: none"> Set Pr 00.038 = 1 for a stationary autotune or set Pr 00.038 = 2 for a rotating autotune Close the drive enable signal (Apply +24 V to terminal 11). The drive will display 'Rdy'. Close the run signal (Apply +24 V to terminal 12 or 13). The lower display will flash 'tune' while the drive is performing the autotune. Wait for the drive to display 'Inh' and for the motor to come to a standstill. Remove the drive enable and run signal from the drive.	
Autotune complete	When the autotune has been completed, Pr 00.038 will be set to 0	
Save parameters		
Save parameters	Select 'SAVE' in Pr mm.000 (alternatively enter a value of 1000) and press the  Stop / Reset button to save parameters.	
Ready to run		
Run	The drive is now ready to run the motor.	
Increasing and decreasing speed	Turning the speed potentiometer will increase and decrease the speed of the motor.	
Stopping	To stop the motor under ramp control, open either the run forward or run reverse terminal. If the enable terminal is opened while the motor is running, the motor will coast to a stop.	



0478-0035-02